

# QWSD-112

## DPDT, 7.05~10GHz, WR-112

- |  |   |
|--|---|
| <b>Features:</b><br>* Low VSWR<br>* High Isolation<br>* Low Insertion Loss | <b>Applications:</b><br>* Wireless<br>* Transmitter<br>* Laboratory Test<br>* Radar |
|--|---|

### Electrical

Frequency:	7.05~10GHz
Insertion Loss:	0.05dB max.
VSWR:	1.08 max.
Isolation:	60dB min.
Voltage:	24±2V DC
current:	1.2A@24V DC

### Mechanical

Interface:	WR-112
Operation Life:	0.1M Cycles
Switching Time:	60mS

### Environmental

Operating Temperature:	-40~+85°C
Extended Temperature:	-55~+85°C
Non-operating temperature:	-55~+105°C

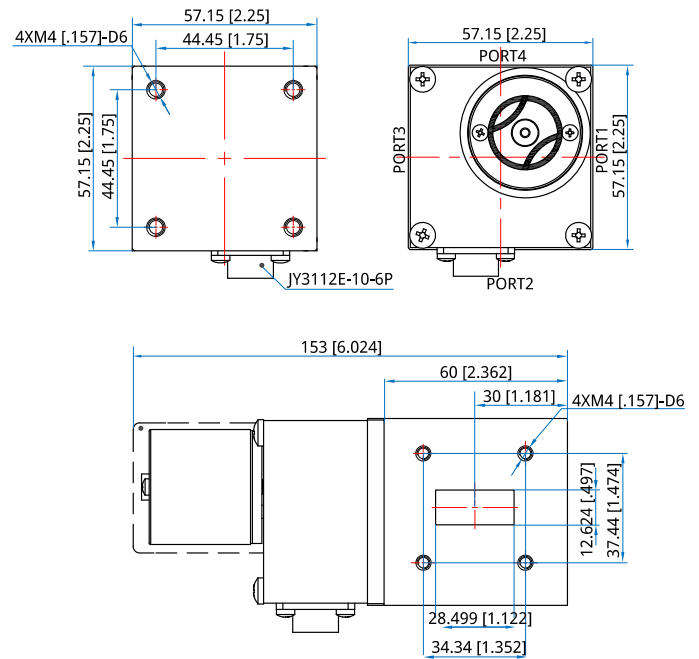
### Pin Numbering

Pin	Function	Pin	Function
A	VDC	D	Indicator1
B	GND	E	COM(Indicator)
C	VDC	F	Indicator2

### Control Logic

Position	A	B	C	RF Working Condition	Indicator status
POS 1	VDC	GND	NC	PORT1-PORT2 ON PORT3-PORT4 ON	D-E ON F-E OPEN
POS 2	NC	GND	VDC	PORT1-PORT4 ON PORT3-PORT2 ON	D-E OPEN F-E ON

### Outline Drawings



Unit: mm [in]  
 Tolerance: ±0.2mm [±0.008in]

### Additional Options

- TTL: T
- Indicators: I
- Extended Temperature: Z

### How To Order

#### QWSD-112-XYZ

- X: Voltage. +15V: F, +24V: K.
- Y: Interface Circular connector: 2.
- Z: Additional Options.

#### Examples:

To order a Waveguide Switch, DPDT, WR-112, +24V, TTL, Indicators, specify QWSD-112-K2TI.

Customization is available upon request.

## Driving Schematic Diagram

